




PRODUCT GUIDE

Roofing and Siding Catalog

 (269) 215-2003

 info@themetalsshopllc.com

 themetalsshopllc.com

Follow us on:   

BUY DIRECT **AND SAVE!**

Contact Us:



(269) 215-2003



info@themetalshopllc.com



www.themetalshopllc.com



**12945 S M-66 HWY
Bellevue, MI 49021**

Follow us on:   

TABLE OF CONTENTS

1. Roofing

5RIB	02
• The Metal Shop 5 Rib Panels	02
• The Metal Shop 5 Rib Trims	03
STANDING SEAM	07
• TMS Standing Seam Panels	07
• TMS Standing Seam Trims	09

2. Siding

TMSSIDINGPANEL PROFILES	11
--------------------------------	----

3. Tools & Accessories

ACCESSORIES	
• Underlayment	15
• Ventilation	16
1. Sealants	16
2. Flashings	17
3. Fasteners	18
TOOLS	21

TMS ROOFING

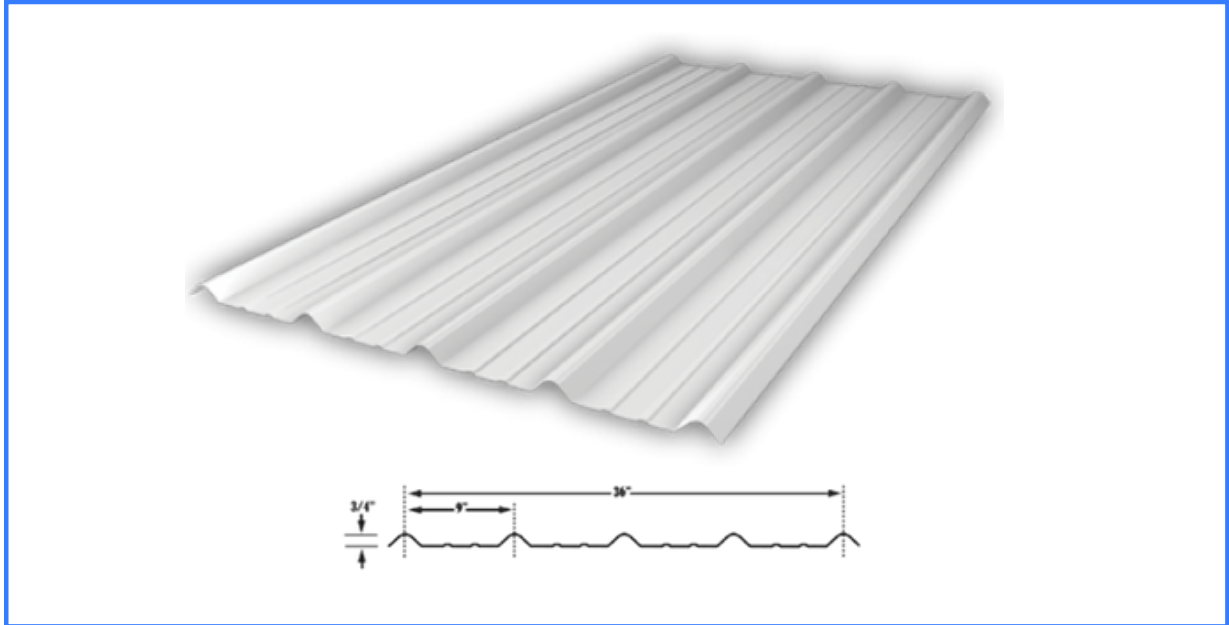


◈ the metal shop has earned a reputation as a metal roofing supplier in Michigan due to:

- competitive pricing
- energy efficiency
- high-quality products
- wide range of options

ROOFING : 5 RIB PANELS

Available in 28 Gauge



- 28 Ga. Roof Panel over OSB
- 28 Ga. Roof Panel over Shingles on 15/32" Plywood
- 28 Ga. Roof Panel over 1×4 Wood on the flat next to the rib
- 28 Ga. Roof Panel over 5' O.C. Open Framing
- 28 Ga. Wall Panel over 5' O.C. Wood Purlin
- 28 Ga. Roof Panel over 15/32" Plywood
- 28 Ga. Roof Panel over 1×4 Wood Purlins Fastened over 15/32" Plywood
- 28 Ga. Roof Panel over 1×4 Wood Purlins Nailed over 15/32" Plywood

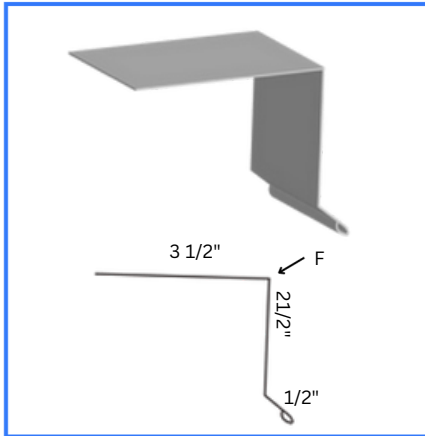
Current product approval are on our website at www.themetalshopllc.com

ROOFING : 5 RIB

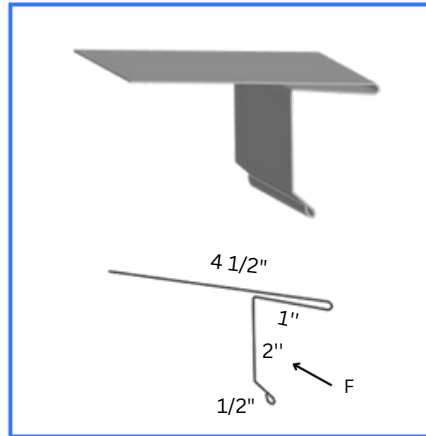
TMSTrim

Specify Dimension

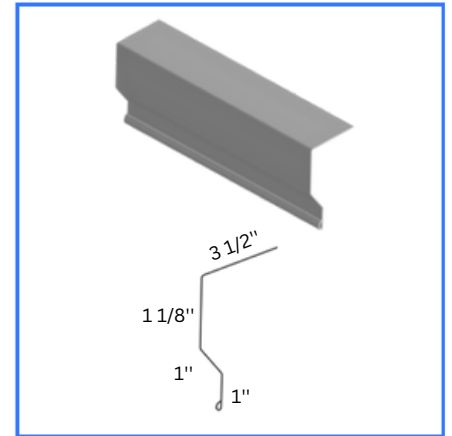
Denver Eave



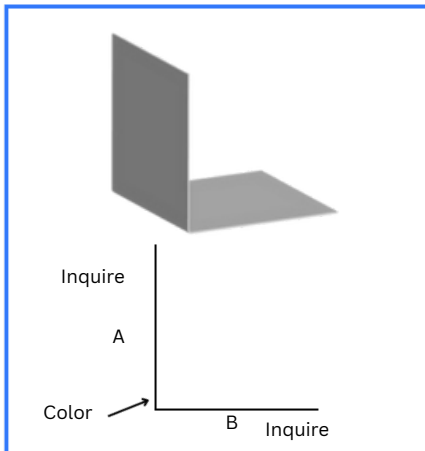
Drip Edge



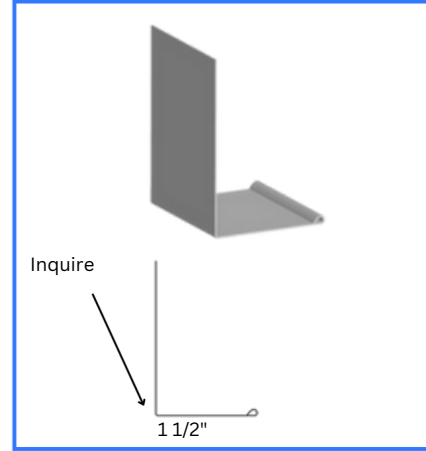
Reroof Drip



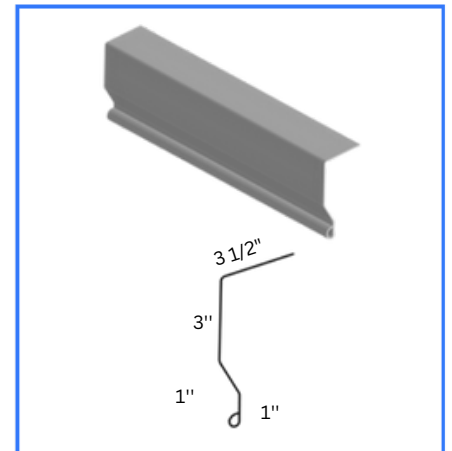
L Flashing



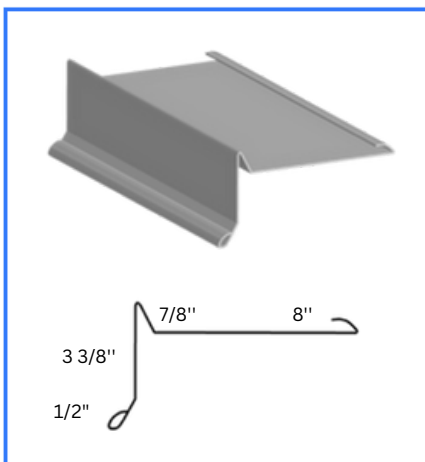
Fascia



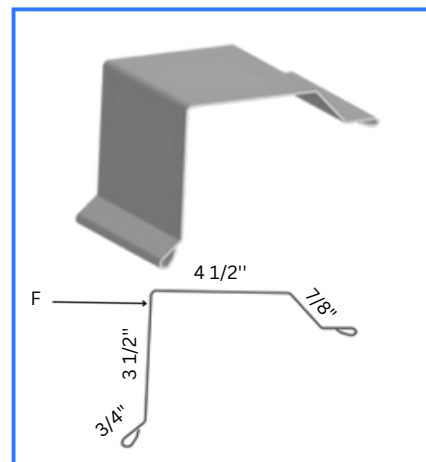
Drip Cover (For use with Purlins)



Flying Gable



Denver Gable

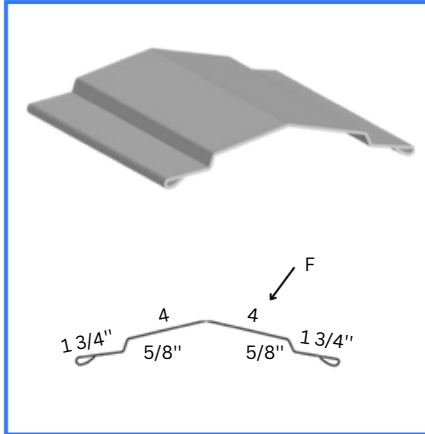


ROOFING : 5 RIB

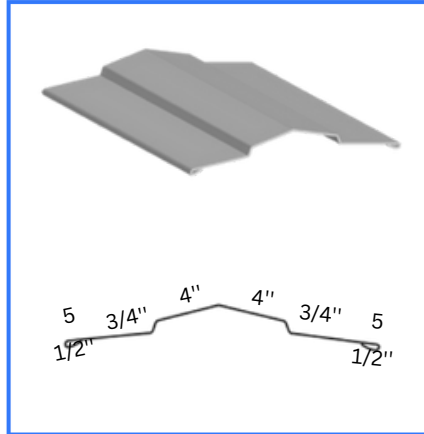
TMS Trims

Specify Dimension

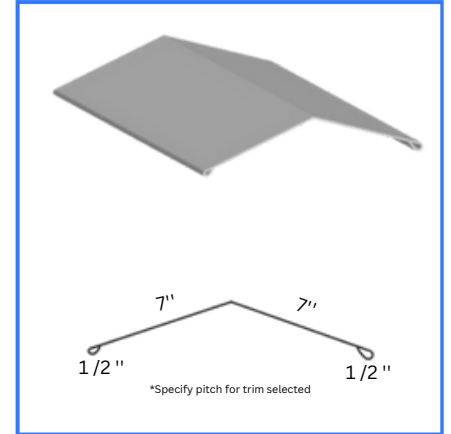
Ridge Cap 13"



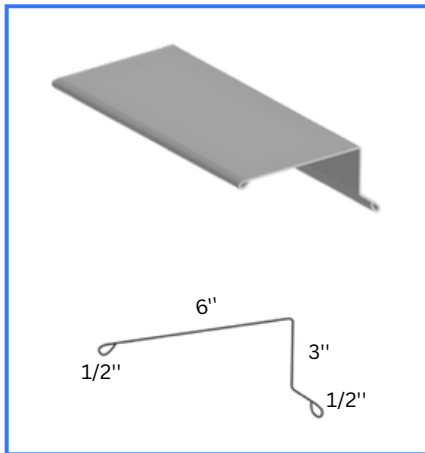
Large Ridge Cap 20"



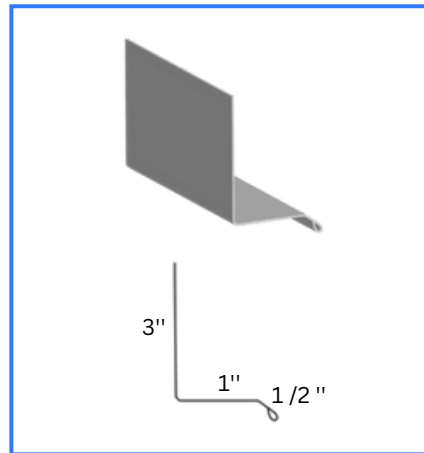
Flat Ridge Cap



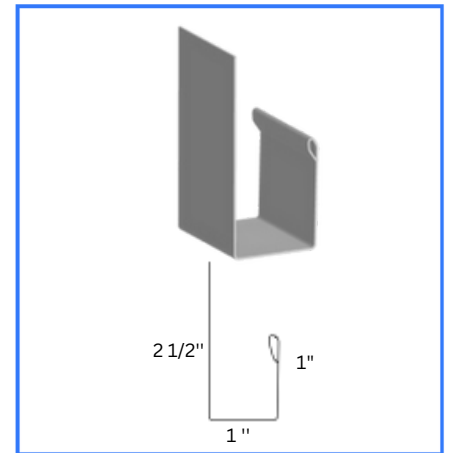
High Side Ridge Cap



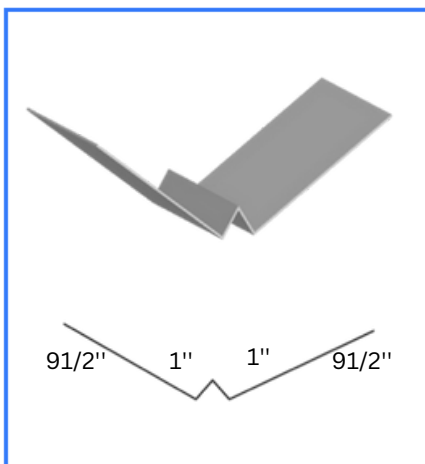
Drip Cap



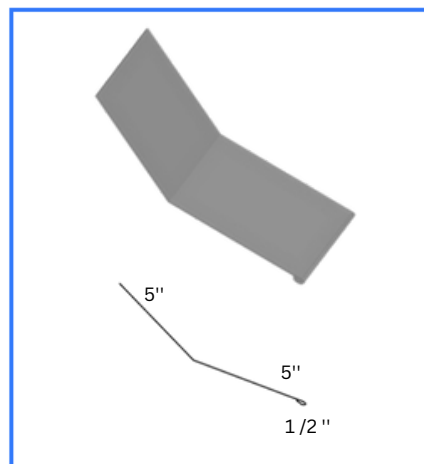
J Channel



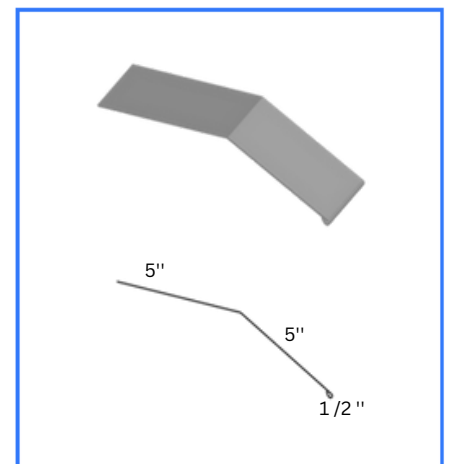
Valley



Transition



Upper Gambrel

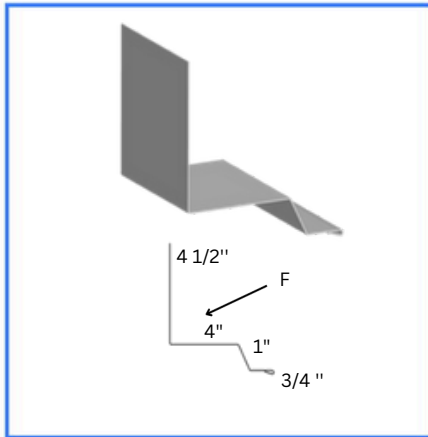


ROOFING : 5 RIB

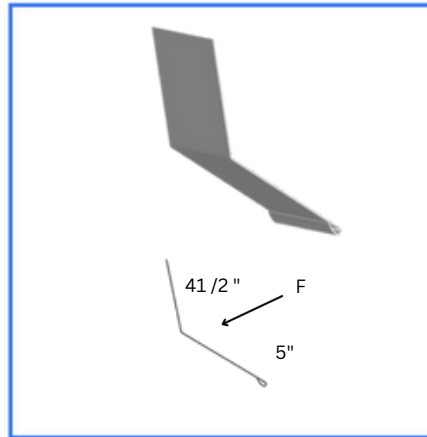
TMS Trims

Specify Dimension

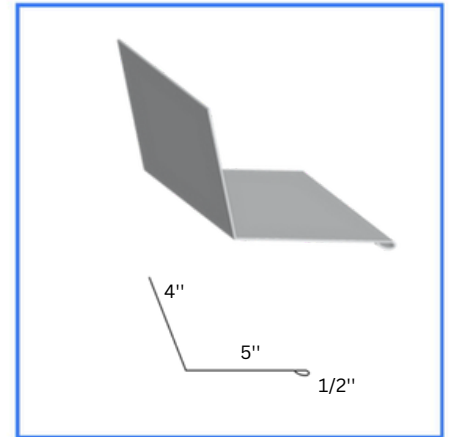
Side Wall



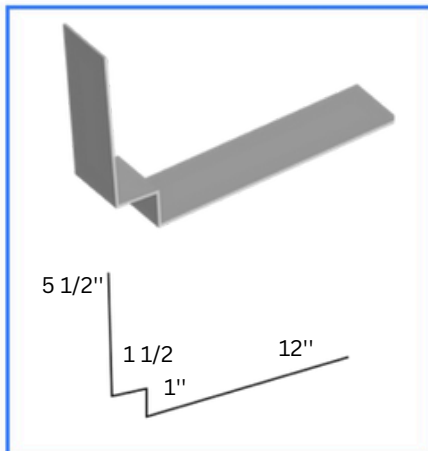
End Wall



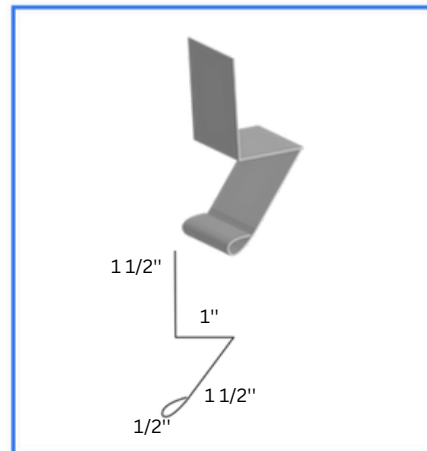
Flat Side Wall



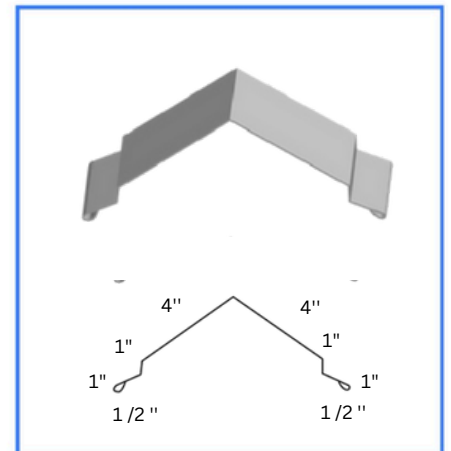
Chimney Flashing



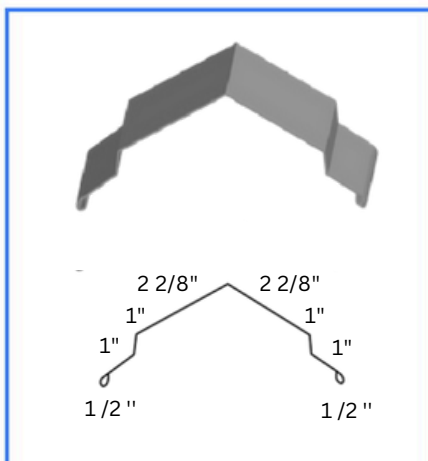
Rat Guard



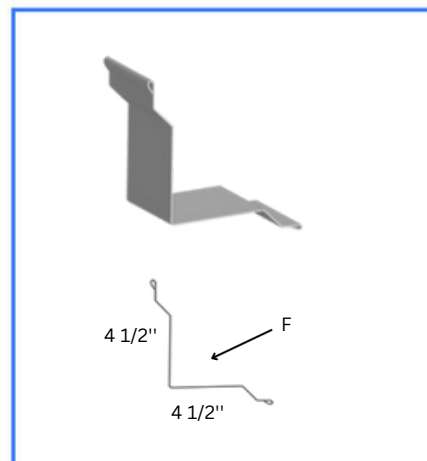
Wide Corner



Mini Corner



Inside Corner

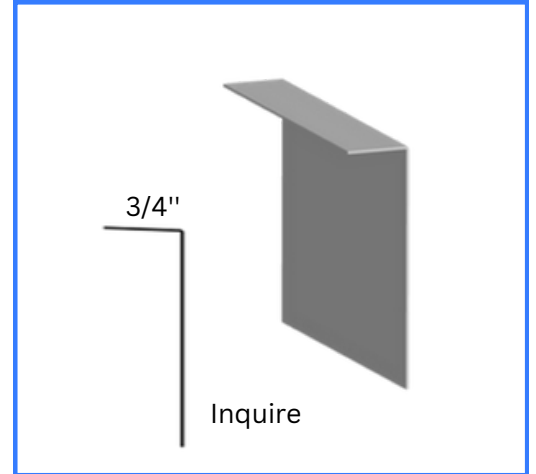


ROOFING : 5 RIB

TMS 5 Rib Trims

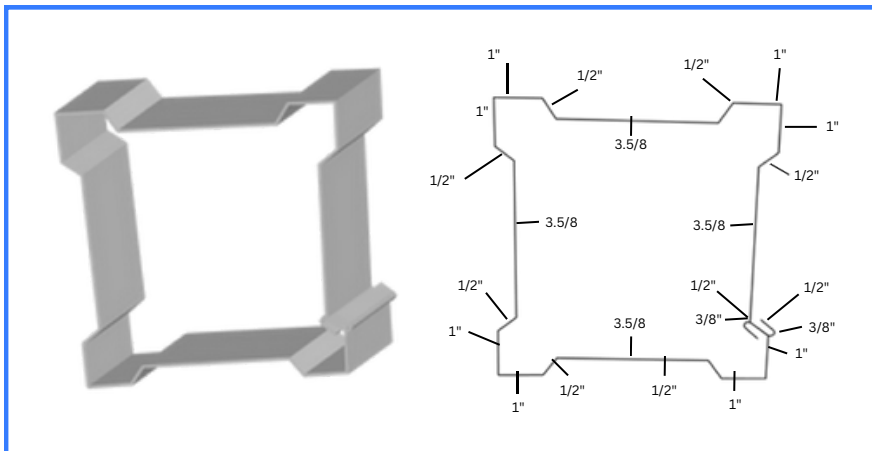
Specify Dimension

Counter Flashing

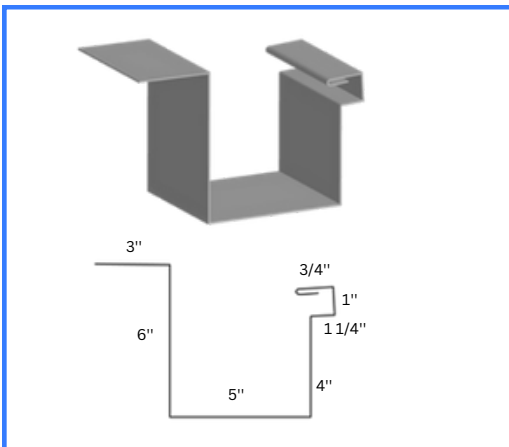


Add a Counter Flashing to any End Wall / Side Wall Flashing

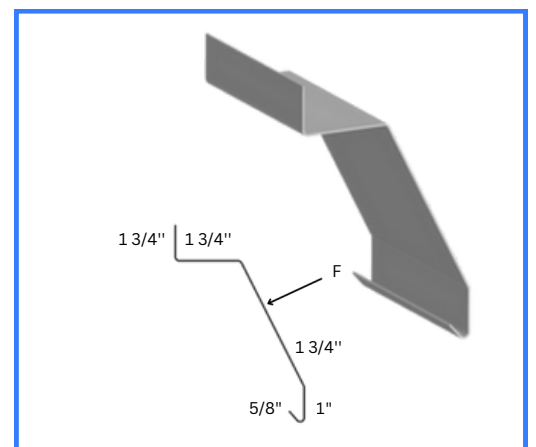
Post Cover



Box Gutter



Track Cover

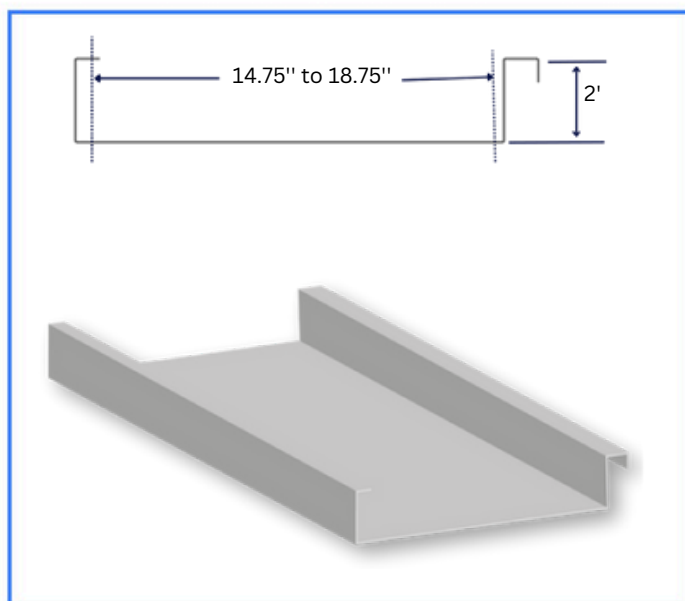


ROOFING : STANDING SEAM

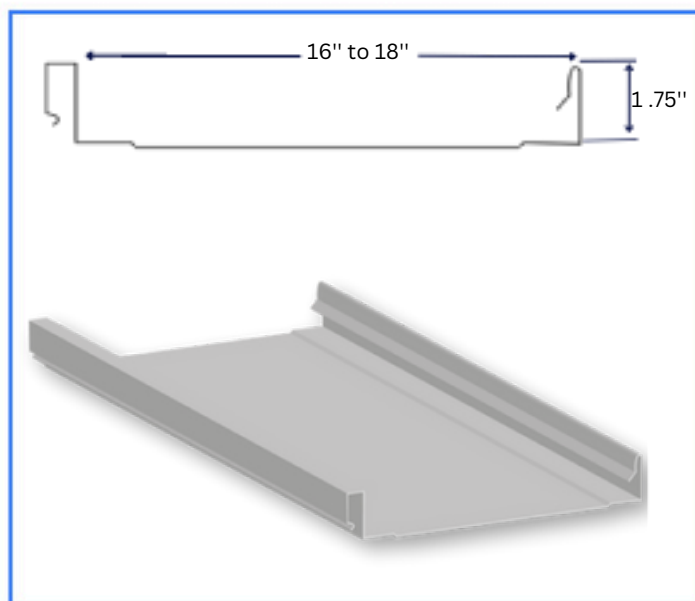
TMS Standing Seam Panels

SNAP LOCK 2"

- Available in 24 Gauge (14", 16" & 18" width)



- 24 Ga. Roof Panel over 15/32 Plywood
- 24 Ga. Roof panel over 22 Ga. Steel Deck
- 24 Ga. Roof Panel over 2'/5' OC Open Framing Steel Purlin



- 24 Ga. Roof Panel over 15/32 Plywood

Current product approval are on our website at www.themetalshopllc.com

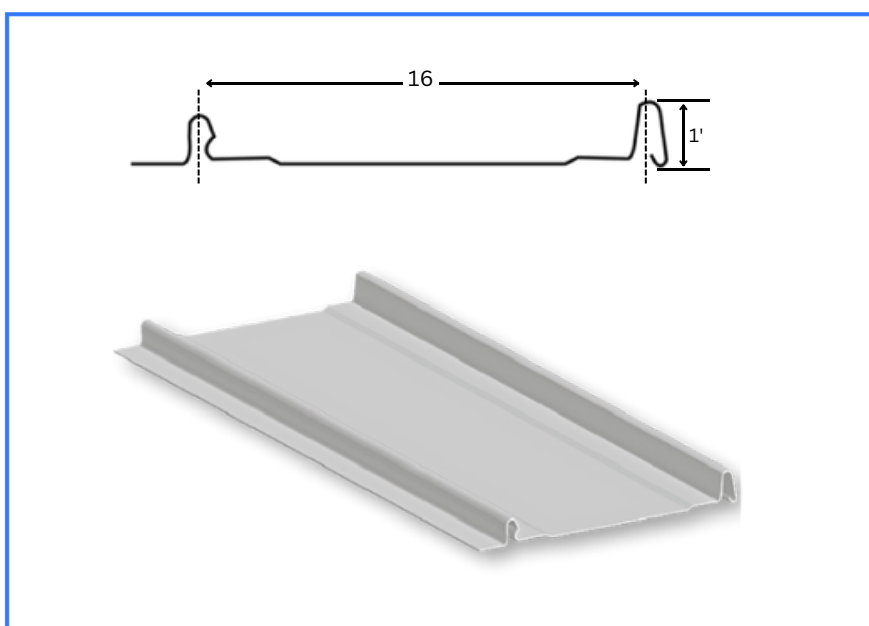
Other panel widths available upon request. Site-specific approvals possible. Contact your sales person for details.

ROOFING : STANDING SEAM

TMS Standing Seam Panels

SNAP LOK 1"

Available in 24 or 26 Gauge



ALL PANELS OFFERED IN STRIATION PATTERN

- 24 Ga. Roof Panel over 15/32 Plywood
- 26 Ga. Roof Panel over 15/32 Plywood

Current product approval are on our website at

www.themetalshopllc.com

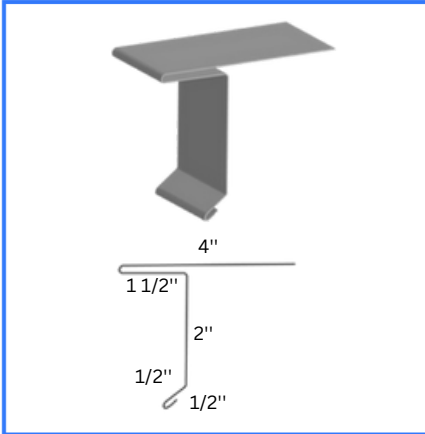
Other panel widths available upon request. Site-specific approvals possible. Contact your sales person for details.

ROOFING : STANDING SEAM

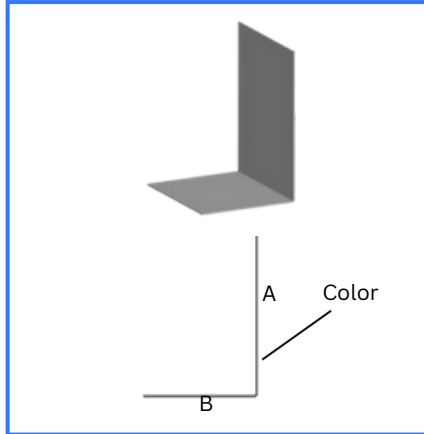
TMS Trims

Specify Dimension

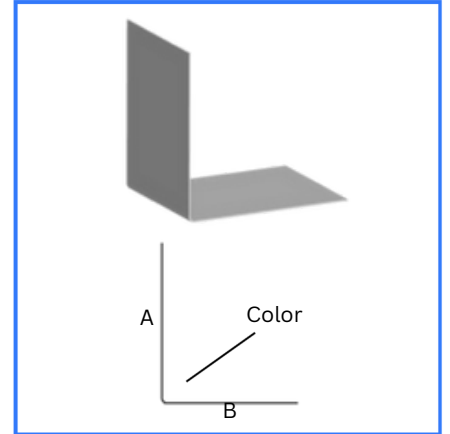
Drip Edge



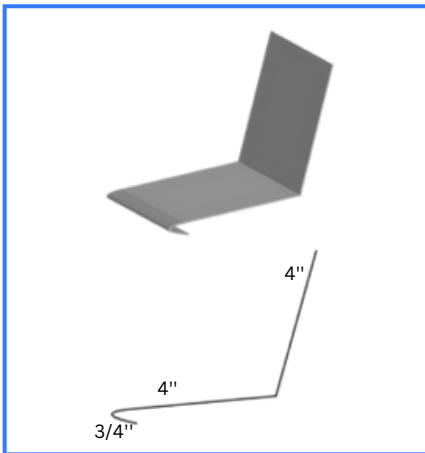
Fascia



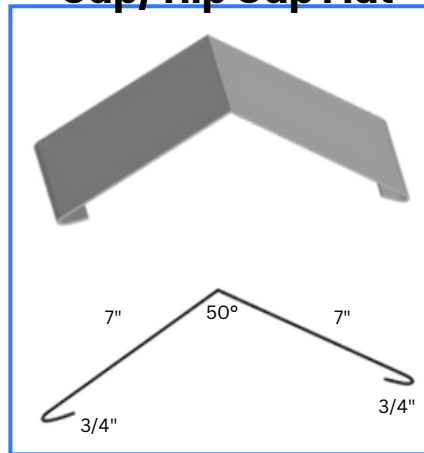
L Flashing



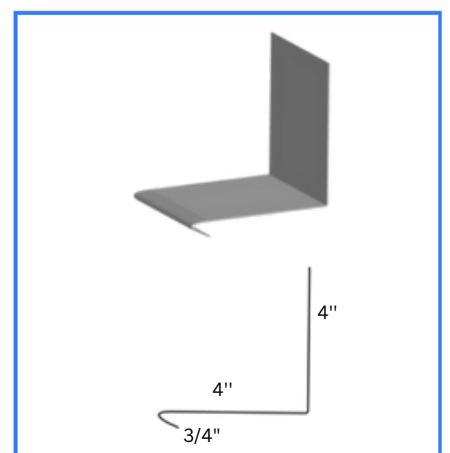
End Wall



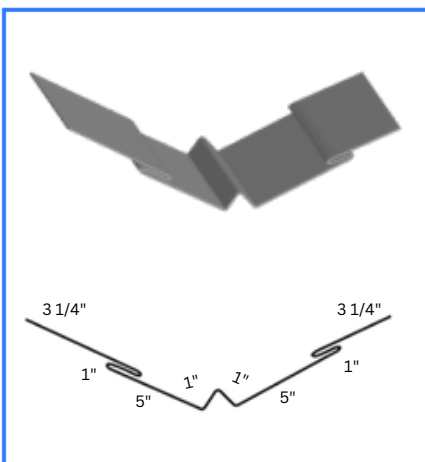
TMS-LOK Flat Ridge Cap/ Hip Cap Flat



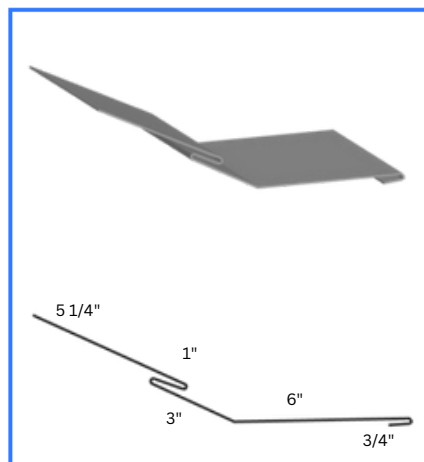
Side Wall



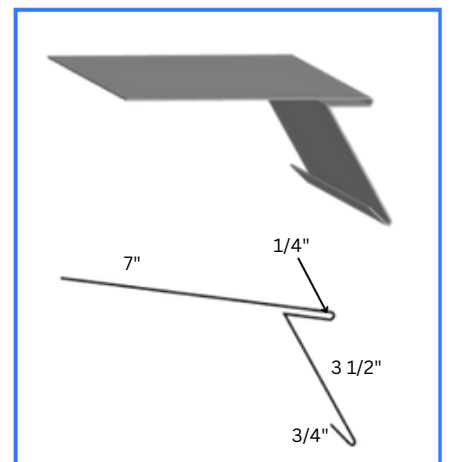
W-Valley



Transition Flashing



Upper Hip Flashing

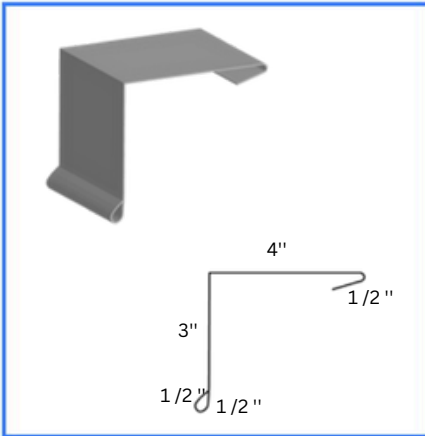


ROOFING : STANDING SEAM

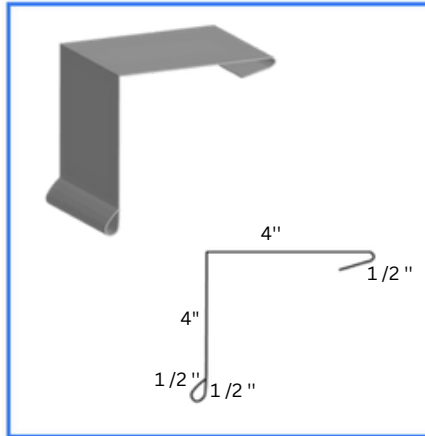
TMS Trims

Specify Dimension

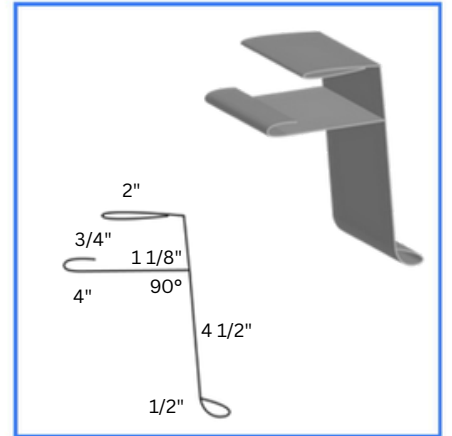
3x4 Corner



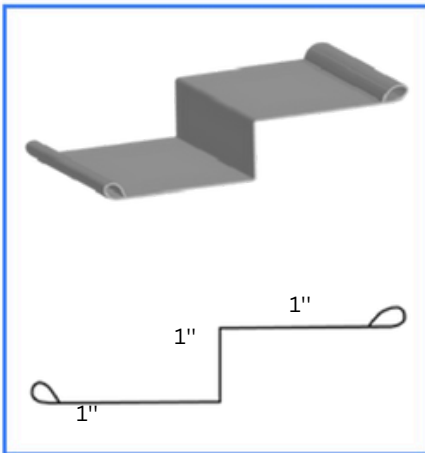
4x4 Corner



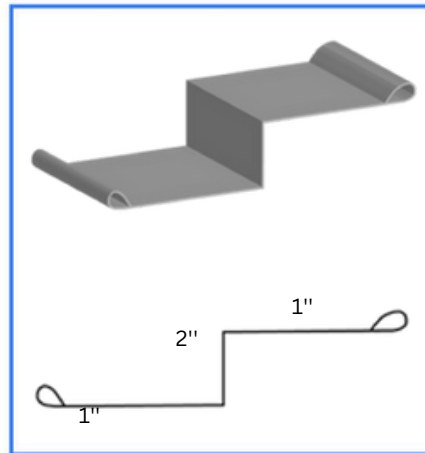
J Rake



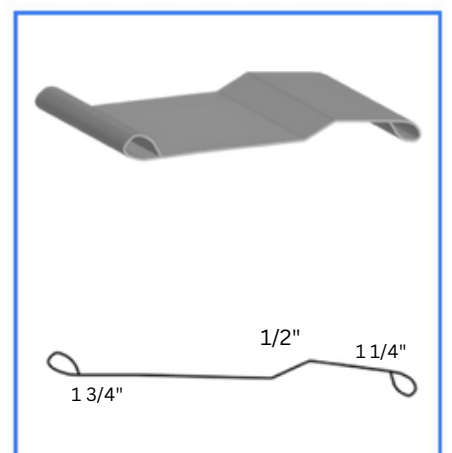
Z Flashing TMS-Lok 1"



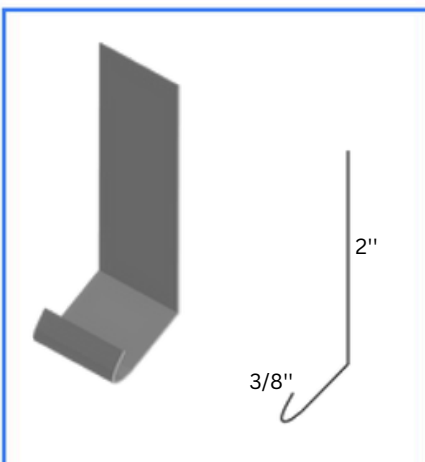
Z Flashing TMS-Lok 2"



Cleat



Eave Cleat



TMS SIDING



➤ given the years in the industry the metal shop won't let you settle for anything less in your siding:

- high-quality
- products Heavy-duty
- competitive pricing
- Eco-friendly

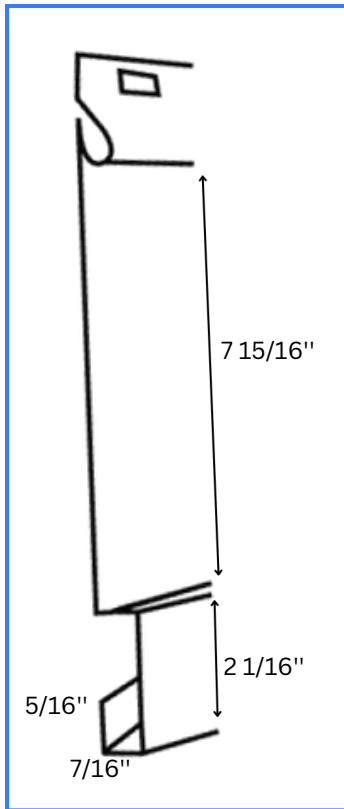
SIDING : PANELS

10" Board and Batten

Available in 26 & 28 Gauge

Covers 10" width battens Panel length up to 50 feet long

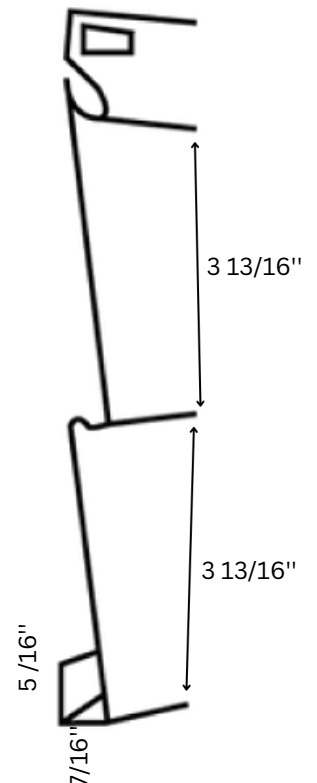
- ◆ 26 and 28 gauge metal
- ◆ All colors are energy star eligible
- ◆ UL listing is available
- ◆ All panels in this collection carry a 40-year paint warranty
- ◆ All panels are made of Galvalume® Compatible trims are available



4" Traditional

Available in 26 & 28 Gauge

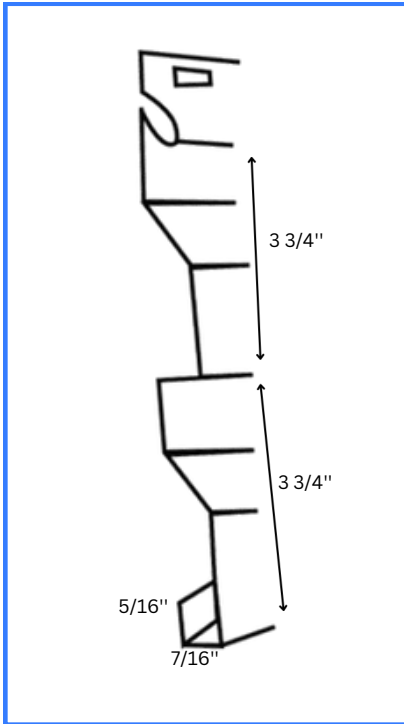
- ◆ Covers 10" width battens Panel length up to 50 feet long
- ◆ 26 and 28 gauge metal
- ◆ All panels in this collection carry a 40-year paint warranty
- ◆ All panels are made of Galvalume®
- ◆ Compatible trims are available



SIDING : PANELS

4" Dutch Lap

Available in 26 & 28 Gauge



- ◈ Covers 10" width battens
- ◈ Panel length up to 50 feet long
- ◈ 26 and 28 gauge metal
- ◈ UL listing is available
- ◈ All panels in this collection carry a 40-year paint warranty
- ◈ All panels are made of Galvalume®
- ◈ Compatible trims are available



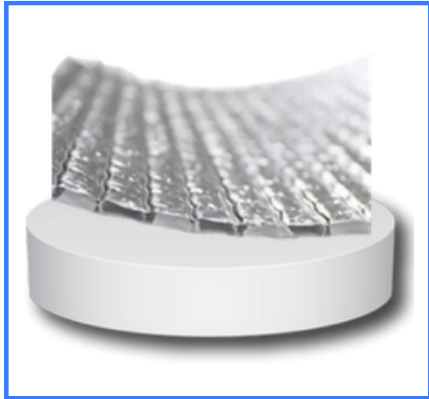
THE METAL SHOP

TOOLS & ACCESSORIES



ACCESSORIES

The Metal Shop



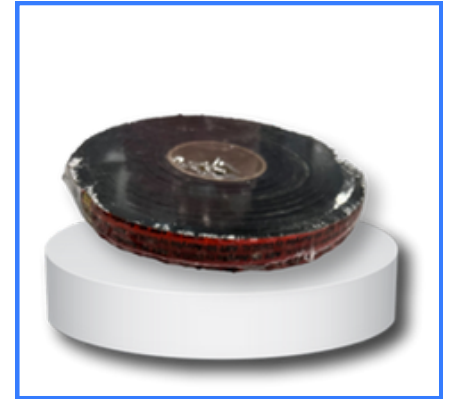
Single Bubble Foil

6' x 102' Roll
Covers 7 ½ sq.



Universal Ridgevent

Prevents water from blowing underneath the ridge cap while allowing the attic to breathe



Em Seal

Use: used to ensure continuity of seal, continuing of insulation, continuity of fire proofing at all interrupted waterproofing systems.

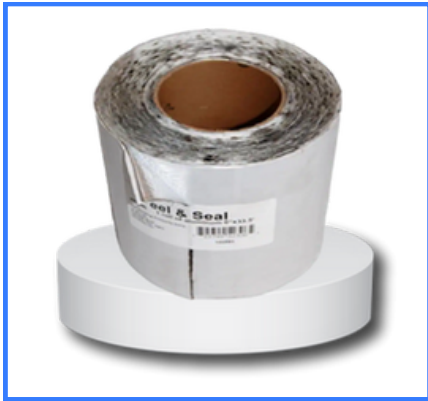


Snap Z Ridge Venting System for Standing Seam

Roof vent designed to fit between the ribs of standing seam roof panels. Three models based on rib height: Snap-Z 1000 for 1" Rib Height, Snap Z-1500 for 1.5" Rib Height, SnapZ-2000 for 2" Rib

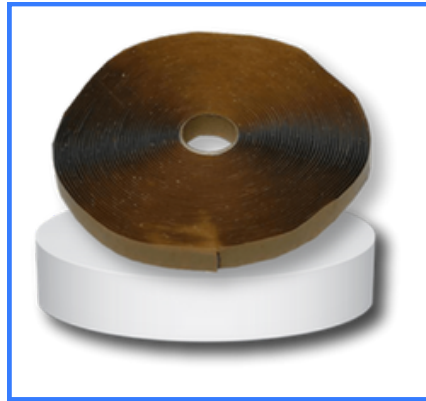
ACCESSORIES

TheMetalShop: Sealants



Peel and Seal

6" rolls by 33 1/3' Seals panels under Hip Caps



Butyl Tape

1/2" X 50' and 1" x 50' rolls available Seals laps and trim to roof seams
Required on Slopes less than 3/12



Foam Closures

Die Cut to fit Panel Type
Use with: 5 Rib.



Geocell 2300

Sealant Exceptional elongation and flexibility



Vent Boot kit

Use: to prevent water from following the pipe down through your roof and into your home.

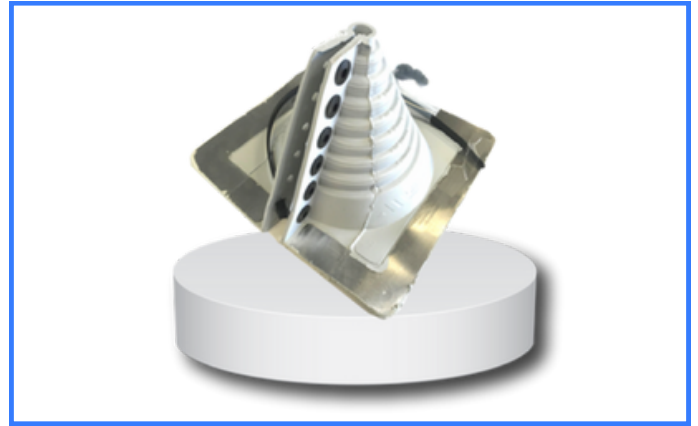
ACCESSORIES

The Metal Shop Flashings



Pipe Boots

Used to seal around plumbing pipes
Available in temperature ranges
-65° to 250° or -100° to +450° Size:
#3: 1/4"-5" #4: 5" - 6.75" #5: 4 1/4" - 7
1/2" #7: 6"-11" #9: 9"-19"



Electric Pipe Boot

Used where electric poles
penetrate the roof



Touch-Up Paint Pens

Used on metal for scratches, marks,
end cuts, panel edges on valleys
matches the metal colors



Spray Paint

6 oz
Not to be used on panel or trim.
Used for roof boots and vents

ACCESSORIES

The Metal Shop: Fasteners



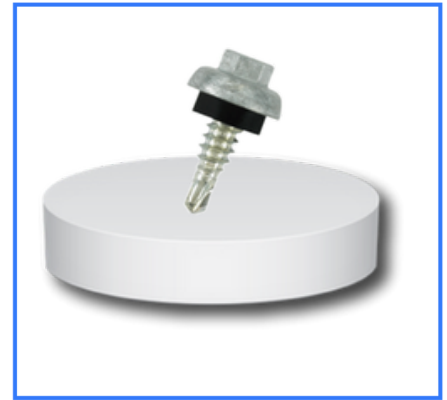
Mini-Driller

Metal to Wood #10x1",
1.5", 2" Lengths, 1/4"
Head, Matches panel
colors, 250
screws/bag



Wood Binder

Metal to Wood,
#9 x 1.5", or 2" Lengths,
Stainless steel Cap, Head-
Micro drill
tip Matches panel color,
250 screws/bag



Zac Lap

Lifetime Warranty- #14 x
7/8" long,
5/16" Head - Matches
panel colors,
250 screws/bag



Lap Screw

For Side laps and trim,
metal to metal
#14 x 7/8" Long, 5/16" Head
- Matches
panel colors
250 screws/bag



Wood Zac

Lifetime Warranty
#10 x 1.5" or 2" Lengths, 5/16"
Head - Matches panel colors
250 screws/bag



Aluminium Trim Nails

Use: are designed for
outdoor applications such
as securing soffit, fascia,
trim coil and roof drainage
installations.

ACCESSORIES

The Metal Shop: Fasteners



Purling Screw

#9 x 3" lifetime Screw
Start Drive
Used for attaching 1 x 4's
to roof
2000 per box



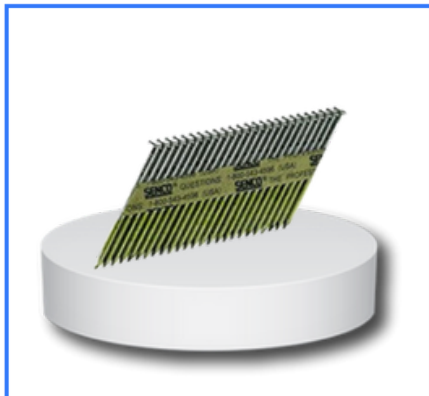
Pancake Low Profile

#12 x 1", 1 1/2" and 2" long
used for Standing Seam
Panels or Clips



Trim Nails

1lb box
Flat Head, 1-1/4" long
Used for fastening
drip edge



30 degree nails

(for Purlins)
Each item is 2 7/8" length
and comes in 5,000 qty



Underlayment Nails

1 1/4" (2000 per box)



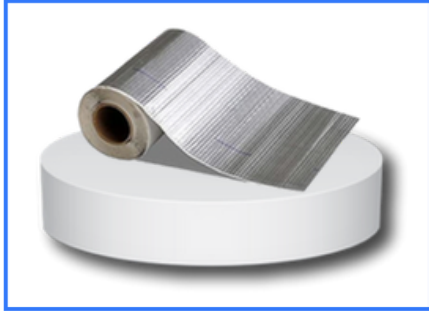
Rivets

1/8" Stainless and Painted
Stainless Rivets - 100/bag

Many fasteners are available up to 2.5 inch long. Required within

ACCESSORIES

Underlayments



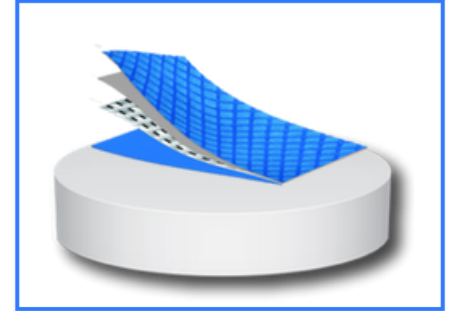
Single Bubble Insulation

7.5x Square Roll
6" wide x 102' long
High Temp, 90 day Exposure
and 10 year warranty



Ft Platinum Underlayment

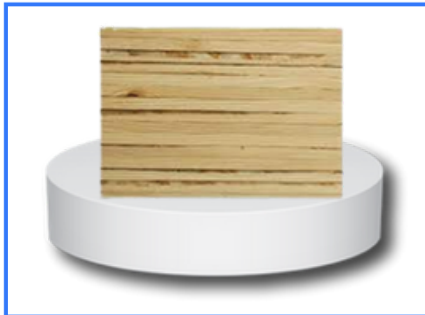
10 square roll
Use: under most primary
roofing materials
including; commercial or
residential metal etc



Synthetic HT Ice & Water Underlayment

100% Synthetic Material
2x Square Roll 25 Year
Warranty to Shed Water
6 month UV Resistant

Purlins



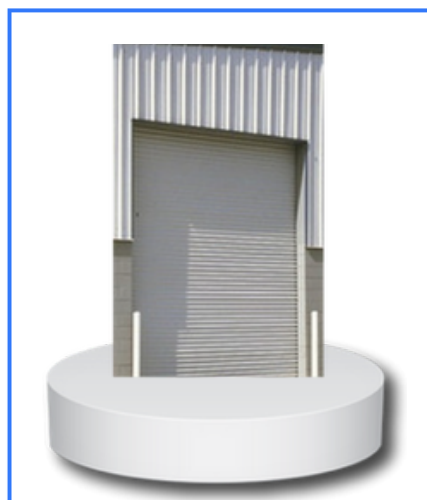
1 x 4 x 12 Wood Purlins

Used for re-roofing

Roll-up doors

Roll-Up Doors

Order any Size You need
Many Colors to Choose
From Many Options Can be
added 7-14 Day lead Time
Perfect for Workshops, Barns
and Sheds



TOOLS



Midwest Cutting Snips

Makes cutting easier with sharper blades and stronger spring action



Tape Measure

1" x 30'
Measures to the 16th of an inch



Malco-N2R panel M notcher

Soft touch, non slip handle insert.



Rubber mallet

Use: is a lightweight hammer-like tool with a head made of molded rubber or hard plastic and a wooden or fiberglass handle.



Caution Tape

Use: is a lightweight, economical, reusable polyethylene.



Chalk

Use: designed for exterior applications like plumbing, electrical, roofing, and masonry.



MS W Double Lock Seamer

Use: Bending and Crimping

TOOLS



Utility Knife

Utility knives designed as multipurpose cutting tools for use in a variety of trades and crafts.



Chalk line

a tool for marking long, straight lines on relatively flat surfaces, much farther than is practical by hand or with a straightedge.



Chalk line Kit

Speed-Line Reel and Chalk Combo features a durable, lightweight ABS housing with a large fill door for quick and easy chalk line



Tie down Strap

Use: can be used in the transport and building industries, the home and for many outdoor activities.



Tape Measure

Use: a type of hand tool typically used to measure distance or size



Straitline String

a type of hand tool that's used in masonry and carpentry to make a straight line between two reference points.



Speed Square

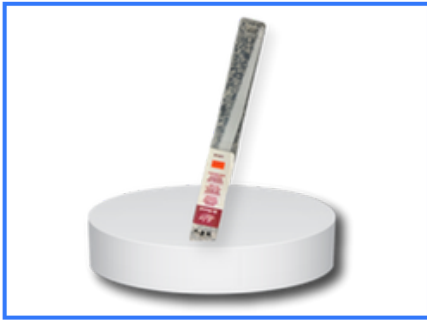
also called a rafter square, rafter angle square, and triangle square, is a multi-purpose triangular carpenter's tool used for marking out.



First Aid Kit

bag or pack that holds supplies used to treat minor injuries including cuts, scrapes, burns, bruises, and sprains

TOOLS



Saw Zaw Blades

are cutting and also bi-metal blades, but with a carbide tip at the end of each tooth.



Magnetic Sweeper

sweep up screws or steel particles from floors or construction sites.



Malco Drip Edge Folding a Tool

makes quick bends along the drip edge of flat-pan standing seam metal roofing panels.



Nail Apron

Use: is made from durable fabric with multiple pockets to provide maximum organization.



Handi Square

Use: Is designed for contractors for efficiency & accuracy. When building a new Polebarn or Buildings.



Drill Bits

3/16" Double Sided. Used for Predrilling panels prior to screwing



1/4" Bits

also called a rafter square, rafter angle square, and triangle square, is a multi-purpose triangular carpenters' tool use for marking out.



Turbo Shears CM

Hands free cutting of roofing panel and trim. Cuts up to 18 gauge metal

BUY DIRECT AND SAVE!

Contact Us:



269215-2003



info@themetalshopllc.com



www.themetalshopllc.com



**12945 S M-66 HWY Bellevue,
MI, 49021**

Follow us on:   