

Why Homeowners Choose SnapLoc



Long Life, Low Maintenance.

SnapLoc is built to last.

- 40-year paint warranty
- Steel protected by primer and a 25.5-year Galvalume® coating.

Unlike asphalt shingles, metal roofing won't curl, crack, or shed granules. And you won't deal with tar streaks or the constant cycle of patching and replacement.



Weather-Ready Performance

Standing seam roofing is designed to handle tough weather. The panel profile and matching trim system are to help keep water moving off the roof, even in wind-driven rain.



Energy Efficiency

Many colors are CERAM-A-STAR® and can help reflect heat in the summer. With proper insulation and ventilation, metal roofing can also help improve comfort year-round.



Better Value Over Time

A metal roof is an investment that can pay off over decades. Many homeowners choose metal because it can reduce:

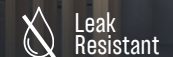
- Replacement costs (metal can last much longer than shingles)
- Ongoing maintenance
- Potential energy costs (with the right roof system).

SNAPLOC

STANDING SEAM METAL ROOFING

Elevate your home Protect your future

A Clean, Modern Look with Hidden Fasteners
Design for homeowner who want high-end style and long-term peace of mind.



(269) 215-2003



themetalsshopllc.com

FINISH OPTIONS

Available
AkzoNobel® & Beckry® Tech Colors



*Colors here may appear differently than when seen in-person or in different lighting. *Indicates premium colors.



READY TO ELEVATE YOUR HOME?

Contact us today for a free consultation and quote.

 (269) 215-2003

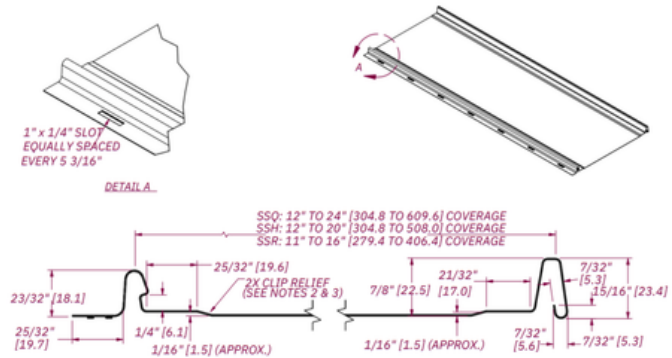
 info@themetalsshopllc.com

 12945 S M-66, Bellevue, MI 49021, USA

www.themetalsshopllc.com

Follow us on:   

SPECIFICATIONS



Material	26-gauge Galvalume® steel
Finish options	34 colors and textures
Panel type	Standing seam (SnapLoc)
Rib height	1"
Panel width	16" coverage
Ratings	UL listing available
Warranty	Panels in this collection carry a 40-year paint warranty.