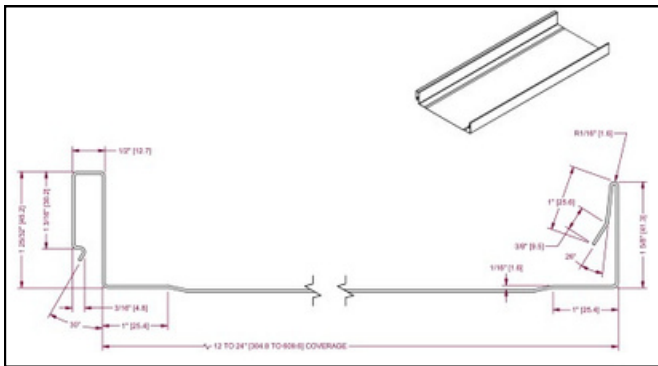


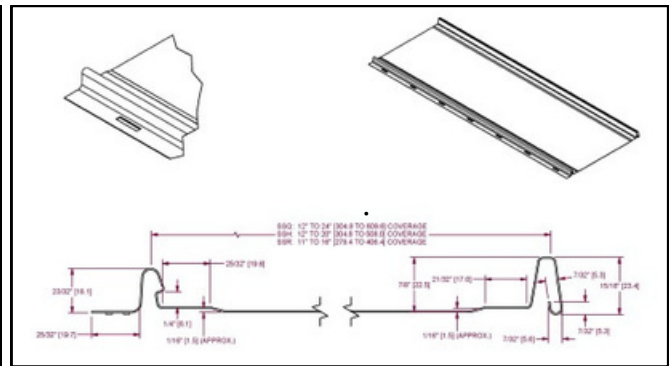
Standing Seam Panel

Standing Seam Metal Roofing Panels are ideal for both the residential or commercial application. Available in 34 colors and textures in 26 gauge steel, it is specifically designed so that fasteners are hidden. The end result is not only a beautiful roof, but one with limited possibility for leaks. The trim and flashing available with a standing seam roofing system are also specially designed to minimize the need of exposed fasteners.

Commercial Panel



Residential Panel



Benefits

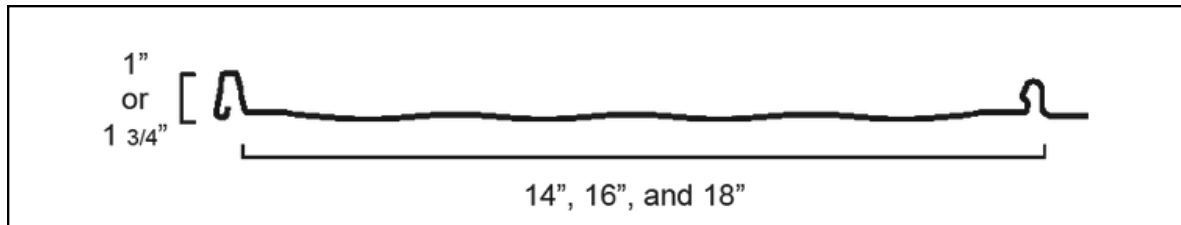
Longevity & Low Maintenance – The paint on our Standing Seam panels are warranted to be intact at the end of 40 years, plus the metal is protected by primer and a 25 1/2-year galvalume coating. There is virtually no maintenance necessary, no mold, no curling, and no tar streaks.

Environmentally Friendly/Energy Efficiency – Metal panels are made from 20 – 75% recyclable materials and may not need to be replaced for 40 to 60 years. While on the other hand, it is estimated that more than 20 billion pounds of asphalt shingles are dumped in landfills each year. Metal roofs are also easy to insulate to save energy in winter and they have reflective qualities to save energy in summer.

Cost Savings – The greatest savings on a metal roof is over the span of a lifetime; it is very possible that a metal roof may not leak for 60-plus years. To date, we have not seen how long this new metal roofing product will last. There is also money to be saved on energy use, tax credits, and possibly insurance and installation as well.

CONTACT US:

Color Shades & Textures



Available Beckry®Tech Colors



Available Beckry®Tech Textures



Colors here may appear differently than when seen in-person or in different lighting.
*Indicates premium colors.

Specifications

- 16" width, 7/8" high Rib height
- 26 gauge metal
- Covers a 16" panel width
- All colors are energy start eligible
- UL listing is available
- All panels in this collection carry a 40-year paint warranty
- All panels are Galvalume® based



CONTACT US: